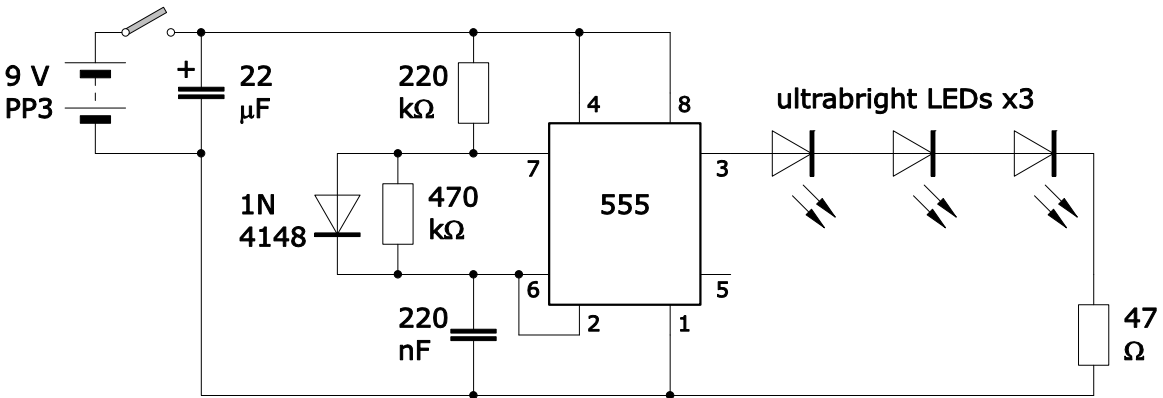
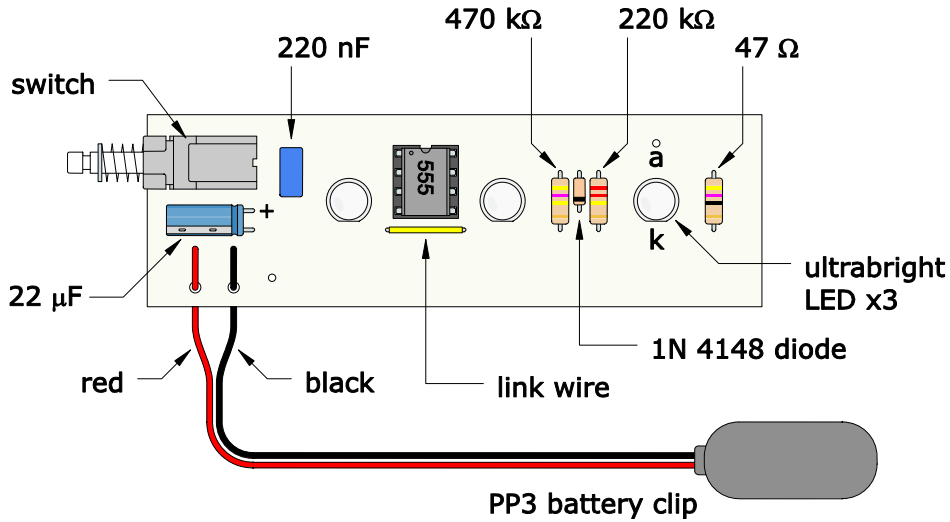


Safety Lights final circuit diagram



PCB: component side view



Track pattern: looking through the pcb as if it was transparent

